

# A SELF-WATERING HYDROPONIC INSERT THAT FITS INTO YOUR CUSTOMER'S PLANTER



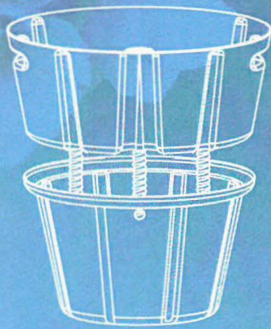
- YOUR CUSTOMER'S PLANTER
- INSERT TRAY
- WICKS
- WELL

## HALF THE COST OF SELF WATERING PLANTERS

- Reduce daily watering by 92%
- Reduce water usage by 72%



# WHAT ARE THE BENEFITS?



## HASSLE FREE

WaterWell Planters takes the tedium out of plant care, eliminating the need for daily/weekly trips to water your customer's plants.

## BE GREEN

The sustainable way to water, WaterWell Planters provides plants the perfect amount of moisture on a continuous basis, eliminating waste and conserving water.

## NATURE'S WAY

Our insert harvests rainwater, storing it for later usage.

## BE SMART

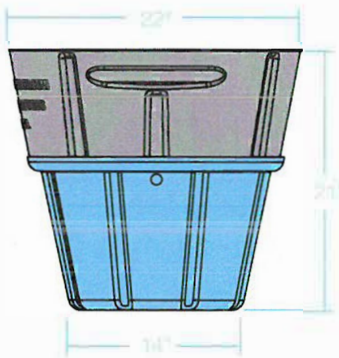
Boasting an industry-best self-watering longevity rate, our inserts have been engineered to utilize 1/2 of a planter's volume for water storage, nourishing for weeks or months at a time.

## COST SAVINGS

Because WaterWell Planters nourishes with no maintenance required, plants can be left unattended, worry-free for weeks or months.

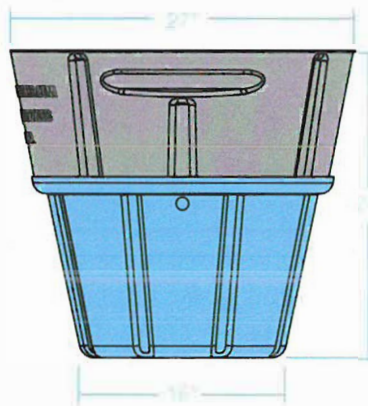
### HYDROPONIC INSERT 22"

Minimum advertised price: \$ 130  
Wholesale price: \$ 60



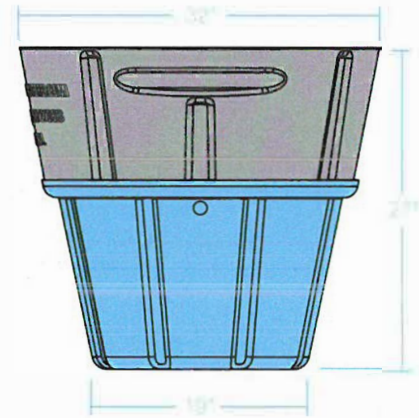
### HYDROPONIC INSERT 27"

Minimum advertised price: \$ 155  
Wholesale price: \$ 70



### HYDROPONIC INSERT 32"

Minimum advertised price: \$ 185  
Wholesale price: \$ 80



\* Minimum order at 6 units

